



慈溪市万捷电子有限公司

CIXI WANJIE ELECTRONIC CO., LTD

REVISION RECORD

REV.	DESCRIPTION	ECN No.	APPROVED	DATE

UL/CUL 技术参数



UL/CUL Technical Data	Use Group	B	C	D
额定电压 Rated Voltage	[V]	300	-	300
额定电流 Rated Current	[A]	8	-	8
接线范围 Wire Range	[AWG]	28-16		
单/多芯线 Solid/Stranded	[AWG]	28-16		
耐电压 Withstanding Voltage		1600V/1min		

IEC 技术参数



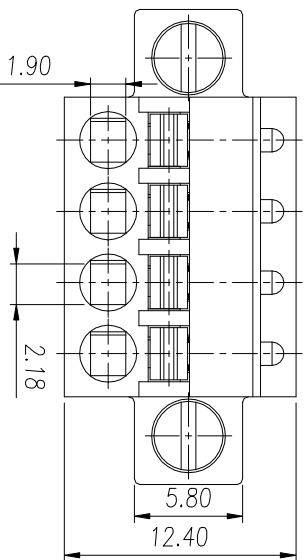
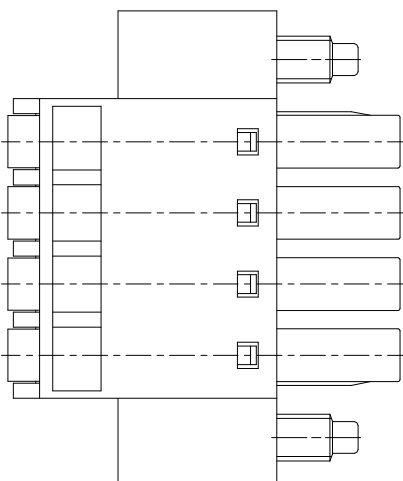
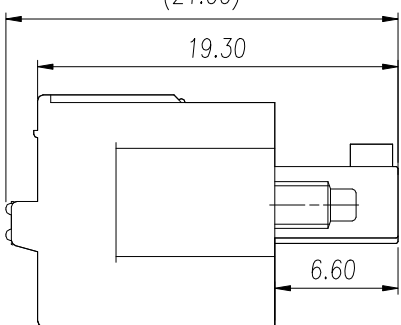
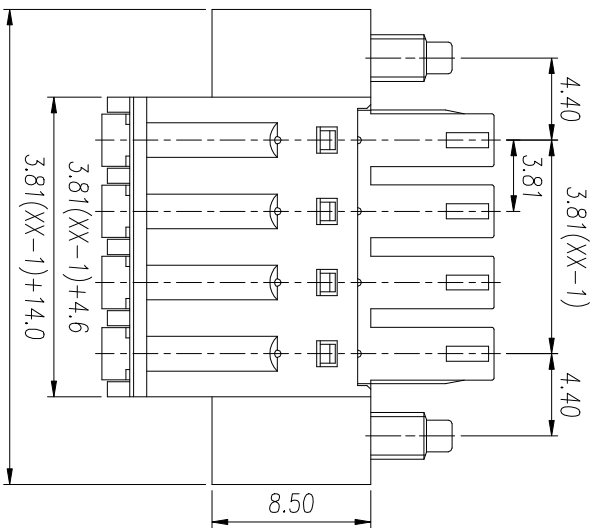
IEC Technical Data	Overvoltage Category	III	III	II
过电压类别 Overvoltage Category		III	III	II
污染等级 Contamination Class		3	2	2
额定电压 Rated Voltage	[V]	160	160	320
额定电流 Rated Current	[A]	8	8	8
额定冲击电压 Impulse withstand voltage	[kV]	2.5	2.5	2.5
导线截面 Conductor cross section		0.2-1.5		
导线/柔性导线 Solid/flexible		0.2-1.5		

材料

绝缘材料 Insulation Material	PA66
阻燃等级 Inflammability	UL94V-0
导体材料 Contactor Material	铜合金 Copper alloy
导体表面镀层 Contactive Coating	镀锡层 Sn Plated

一般参数

间距 Pitch / 极数 Poles	[mm] / [P]	3.81 / 02-24
引线长度 Shipping Length	[mm]	7-8
螺丝 Screw / 扭矩 Torque(Max)	[N.m]	-
工作温度 Operating temperature	[°C]	-40~105
焊接温度 Soldering temperature		-
引脚/尺寸 Pin Dimensions	[mm]	-
PCB板孔径 PCB Hole Diameter	[mm]	-



linear dimension (Tolerances Standard GB/T 14486-2008)

tolerance	±0.20	±0.30	±0.50	±0.70	±1.00	±1.30	±1.60	0.10	0.30	0.60
variable range	6 to 6	10 to 10	30 to 30	60 to 60	100 to 100	160 to 160	160 to 160	10 to 10	10 to 100	100 to 100

单位 / UNITS mm 尺寸 / SIZE A4 比例 / SCALE 5:2

第二视图/THIRD ANGLE PROJECTION

版本 / REV V0



慈溪市万捷电子有限公司
CIXI WANJIE ELECTRONIC CO., LTD

名称 / TITLE WJ15EDGKDM-3.81-XXP-1YY-00A